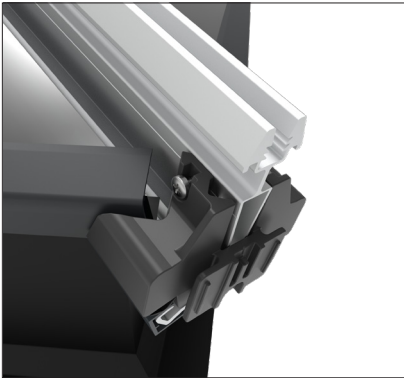


Introducing glassLOCK

New Product

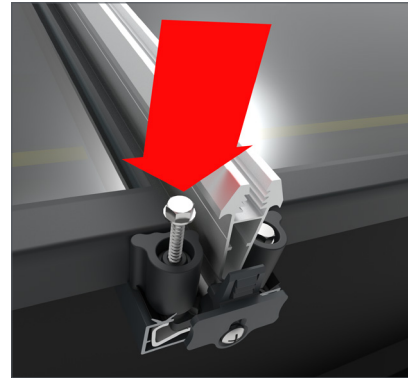
Please take a moment to review the full updated installation guide prior to commencing the lantern installation.

glassLOCK arrives factory fitted to hips.
glassLOCK functions as the end cap bracket and glazing stop.



Ensure the glass units are pushed up towards the ridge and that the glazing is securely located behind the glassLOCKS at the hips.

Transom installation remains unchanged.



Push the glass stops up to meet the glass end profile, ensure that the lower edge of the glazing is running parallel to the kerb. Then using fixings provided secure the glass stops in place.

If you would like further information on these product changes, please contact technical support on 01200 452918 or techsupport@ultraframe.co.uk.