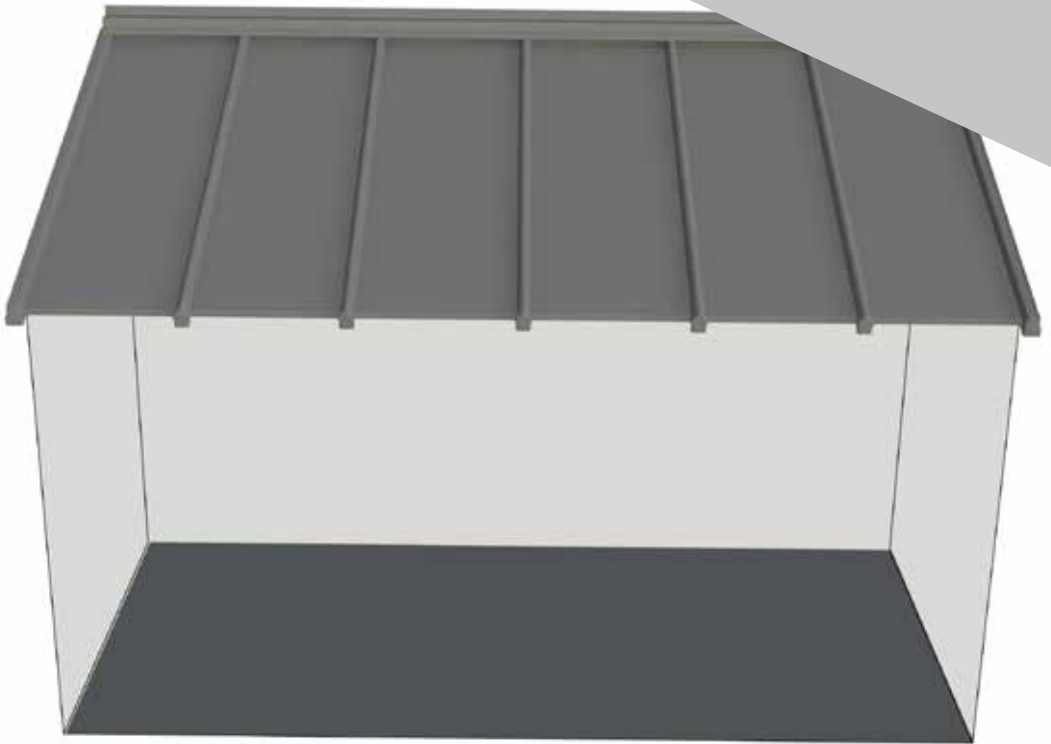




WENDLAND
R O O F S O L U T I O N S



Low Pitch
Installation Guide

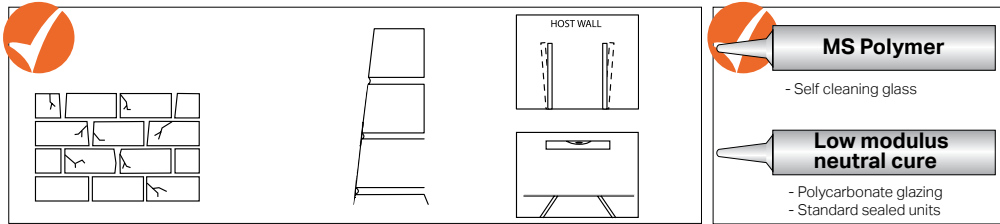
**Thank you for choosing the Wendland Low Pitch Lean to roof.
This guide is designed to make fitting as straightforward as possible.**



At this stage do not fix the frames down - pin only to the house wall (one fix per side) to allow the conservatory to 'float'.

Attach the rafter end cap fixing blocks - as access restrictions (box gutter situations) may prevent easy attachment later.

Take the rafter from the roof pack and check the anchor clips are fitted (the clips are always at the top of the slope). On the eaves beam check that there are the correct amount of twin and single bolts and that the glazing support trim is fitted.



Check the condition of the host wall as this may affect the quality of the final installation. Check the host wall is plumb - any running in/out should have been accounted for by the surveyor. If not, the wallplate may require packing out with aluminium

shims. Correct alignment in this area is critical to a successful installation - Plumb and level frames. Only use the specified fixings - never be tempted to substitute alternative sizes/gauges.

Use the correct sealant

General points

Care should be taken when handling components that are seen by the homeowner, as surfaces may be scratched if not handled with care. Choose a suitable area for unpacking the components and always check them before fitting. Any claims for missing or damaged parts are only accepted in line with our standard terms and conditions of sale.

Health & safety

Site safety is paramount. The Construction (Design & Management) Regulations 2015 apply to the whole construction process, on all construction projects from concept through to completion. Compliance is required to ensure construction projects are carried out in a way that secures health and safety. The installation company shall be responsible for the safety of all of the fitting team, the customer and members of the public.

The Surveyor should have carried out a risk assessment to reduce risk on site and this should have been discussed with you prior to starting.

Please use safe working platforms and ladders that comply with BS EN 131. Always use equipment in line with manufacturers recommendations. Personal Protective Equipment - such as goggles, mask and ear defenders - should be used when, for example, grinding out for the flashing.

Careful consideration should be given to the safe disposal of all packaging - our packaging is predominantly made from recycled materials and can be readily recycled.

Product

The roof kit is supplied with a location plan, part check list and this installation guide. The location plan is used to match individual components to their respective position on the roof. Our numbering convention always starts at the top left, against the house wall as you look from outside the conservatory back at the host wall.

The majority of aluminium and PVCu components contain identification codes, usually by inkjetting or labelling - should you need to re-order a part this should help. Please ask for a copy of our product guide to keep in the van, which will give you further assistance with future identification.

Sealing

It is important to use the correct sealant when sealing the roof.

1. For roofs glazed with Polycarbonate (or standard sealed units) a low modulus neutral cure brand of silicone must be used
2. For roofs glazed with Conservaglass or other true 'self cleaning' glass, then MS Polymer sealant such as Rotabond 2000 must be used.

Sealed Units

All protective handling tape must be removed prior to installation. For the correct selection of sealant please see above

The Superstructure

Check the Dwarf wall or Plinth for being level all round. Ensure that all frames which abut the host wall are vertically plumb, which will then allow perfect alignment with our eavesbeam. Before starting to install the roof, please check the condition of the host wall and whether it's plumb - depending upon what you find, these conditions can seriously affect the final integrity of the roof.

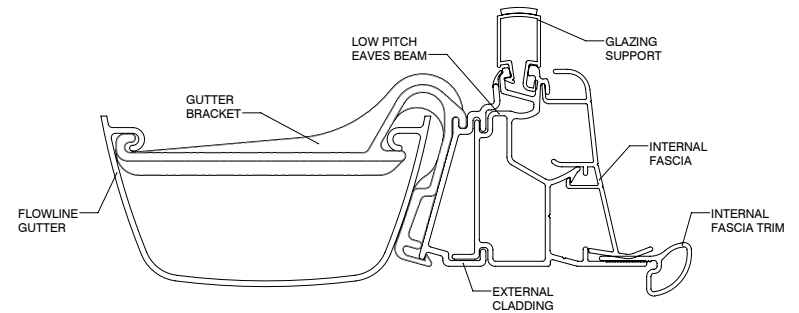
TOOLS REQUIRED



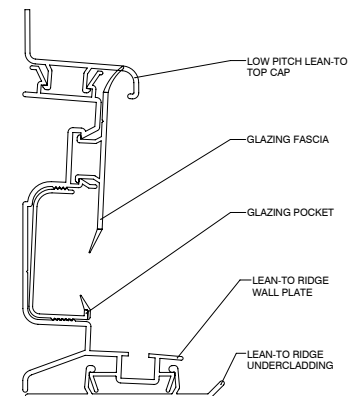
Eaves to frame fixings, host wall fixings and ridge top cap flashing trim screw not supplied.

PRODUCT IDENTIFICATION

Eaves assembly

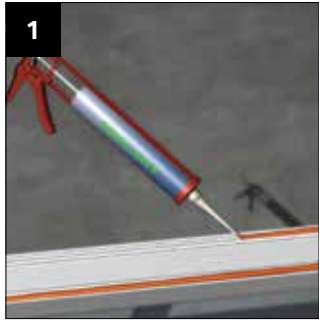


Wall plate assembly



**Please contact the Tech Support Team on 01200 452 318 or
email customerservice@wendland.uk.com**

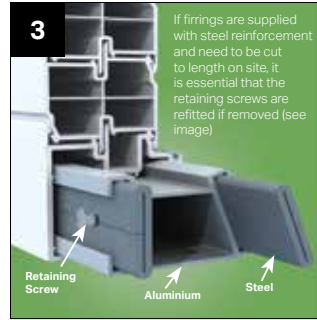
INSTALLATION (with firrings)



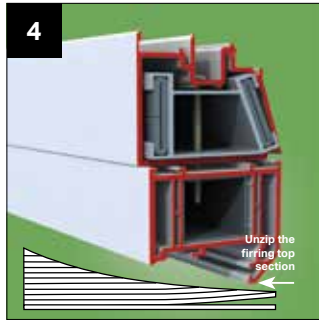
Silicone seal the head of the side frames.



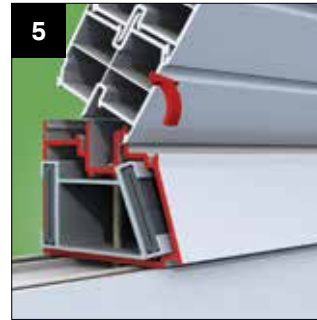
Firrings are supplied in one of 2 standard lengths. When cutting the furring, always do this at the back (rear) and ensure that all elements are aligned.



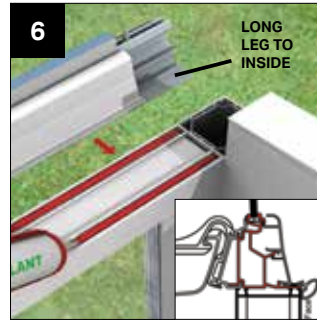
Unpack and slide in the aluminium box section (if ordered) and, the two pieces of steel re-inforcing (if ordered). If only one section of stage 1 re-inforcing is supplied it usually signifies that this should be used above doors in the side elevation.



Ensure the inside face of the furring lines up flush with the internal face of the frame. Drill a 5mm hole through the PVC furring bottom section and re-inforcement (if ordered) and secure with screws supplied.

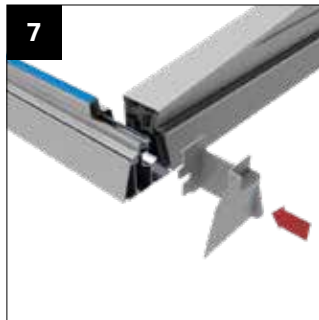


Fasten from above using the 4.8 diameter x 70mm fixing supplied at 450mm centres and within 200mm of the corners. Now, reassemble the furring by clipping in the bottom edge of the furring top section and roll into place.



Take the eaves beam and make sure the head of the front frame is siliconed.

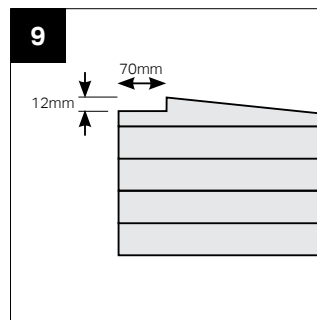
LONG LEG OF ALUMINIUM EAVES BEAM TO INTERNAL FACE.



Using silicone, secure the eaves beam end cap in place.

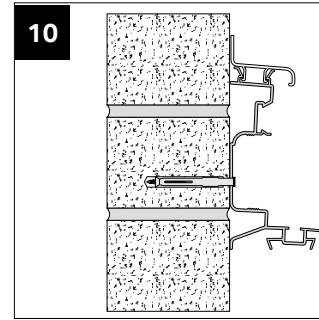


Drill a 5mm pilot hole in the head of the frame, fasten down using 4.8 x 32mm screws (not supplied) at 450mm centres. Refit internal claddings. If fastening up through the frames into the eaves beam use 4.8 x 55mm screws.



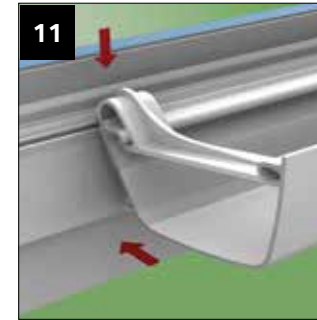
The aluminium wallplate body has been cut to length and sits on top of the firrings.

INSTALLATION (with firrings)



Fix the ridge at the specified height to the wall, drill through the v groove behind the glazing pocket.

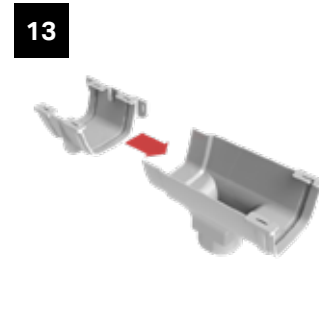
If the wall is uneven, packing may be required behind the half ridge.



Locate the gutter brackets, stop end and stop end outlet and lift into position on the external fascia. Push down to locate the lower leg of the bracket. Assemble the rain water pipe, attach to the gutter and screw to the frame.



If a stop end outlet is to be used in an inline outlet situation, use a hacksaw to remove the stop end as shown. A stop end outlet is used for inline situations when the inline variant is not available in the specified colour.



Attach a union bracket to the prepped outlet. This can now be fitted to the roof in an inline outlet situation.



Ensure all the captivated bolts have been fitted, glazing pocket and ridge fascia. Offer up and secure the rafters on the bolts at the eaves and ridge. Secure with flanged M6 nuts.



Attach all the rafter using the location pin provided to check each bars final position with its corresponding label.



Take the glazing end profile and run continuous bead of sealant (appropriate for glazing) immediately behind the co-extruded gasket (along the full length). Now seal the space between the glazing end profile and the sealed unit (see inset) at each end (DO NOT DO THIS ON POLY ROOFS).

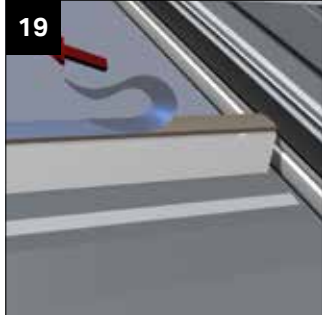


Snap off appropriate handed glazing stop. Place this into the base of the rafter.



Snap off a gromet from the kit, this will slot over the upstand on the glazing stop. **Repeat steps 17 & 18 for all rafter on the roof.**

INSTALLATION (with firrings)



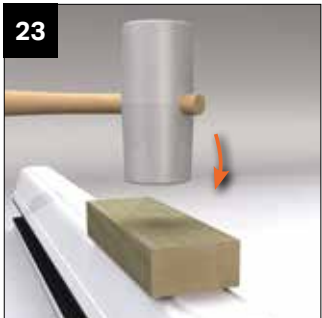
Tease the 'tail' of the glazing support trim tape free (ready to be pulled away when the sealed unit is finally in position).



At the is point the roof should be glazed. Any ridge support may be removed. Insert the glazing between the rafters ensuring that it is centralised.



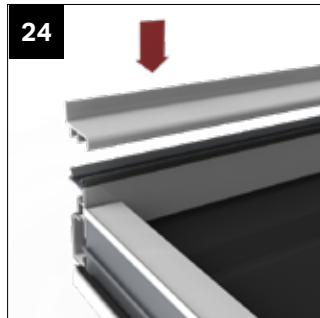
Ensure the glazing stop is pressed tightly up against the end profile. When in position use the fixings provided to fix the glazing stop down into the bar as shown. **Ensure clip offers maximum support to glazing at all times.**



Knock the rafter top cappings on with a Deadblow hammer. Greater care is needed in cold weather. Keep all trims wrapped while fitting for protection.



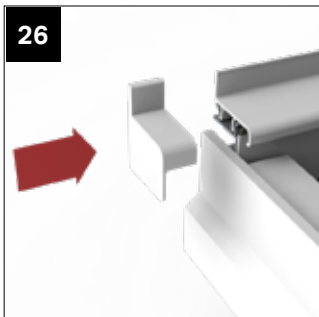
If you haven't fitted already, attach end cap fixing brackets. Fit the rafter end caps by sliding onto the end cap brackets. Push fit the insert into the end cap.



Fit lean to ridge top and bottom caps.



Apply silicone to the gable side cappings and fit to the gable bars. These may require cutting in for a low pitch ridge. **TIP: Screw the side capping to the gable bar at the top and bottom where the screw will be covered by the end caps.**



Apply silicone to the inside of the ridge end cap where it contacts the ridge top cap and the gable side capping. **Ensure the lead is flashed over the ridge end caps.**



Push fit the internal fascia trim into position.

INSTALLATION USING RAKED FRAMES



1
WALLPLATE IS SUPPLIED OVER LENGTH

Offer the wallplate up to the wall and position it so that the top surface of the bolt slot is level with the top of the side frames.



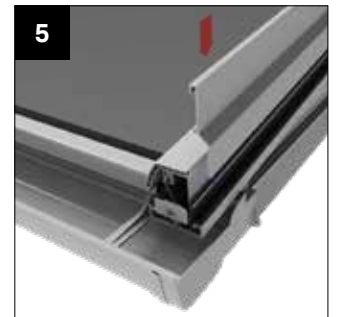
2
Run two beads of silicone along the head of the raked frame prior to fitting the top cap (supplied).



3
Screw fix the rafter down into the head of the raked frame at 500mm centres. Continue to fit the glazing as in steps 20-23 in main guide.



4
Knock the rafter top cappings on with a Deadblow hammer. Work your way across the roof. Once again each capping is numbered according to its position in the roof.



5
Hook the cloaking trim over the rafter top cap as shown above and clip fit the bottom edge into position. Finish by fitting rafter end caps as shown in step 22.

www.wendland.uk.com

© Wendland - Our policy is one of continuous improvement and we reserve the right to change specification and design at any time without prior notice.

Job No. 7035 WENDLAND Low Pitch INSTALL V1 10/20 WLPIG001

